

VIEW LOOKING EAST ON 2ND AND T STREET SW



VIEW LOOKING WEST ON FIRST STREET AND T STREET SW



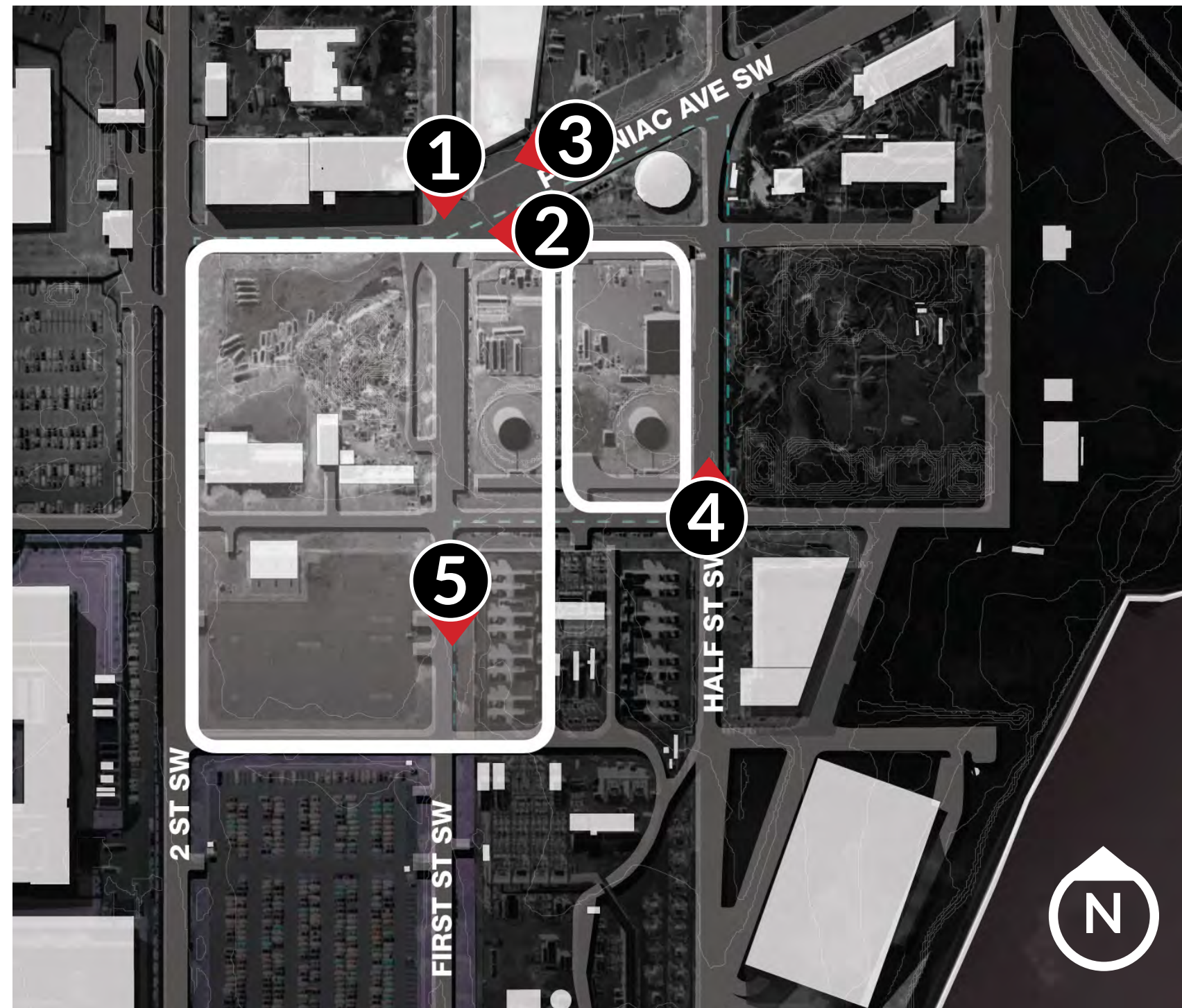
VIEW LOOKING NORTH ON FIRST ST AND T STREET SW



VIEW LOOKING EAST ON S STREET AND FIRST STREET SW



VIEW LOOKING WEST ON S STREET AND FIRST STREET SW



VIEW LOOKING SOUTH ON FIRST STREET AT THE INTERSECTION OF R STREET AND POTOMAC AVE SW



VIEW LOOKING WEST ON R STREET AND FIRST STREET SW



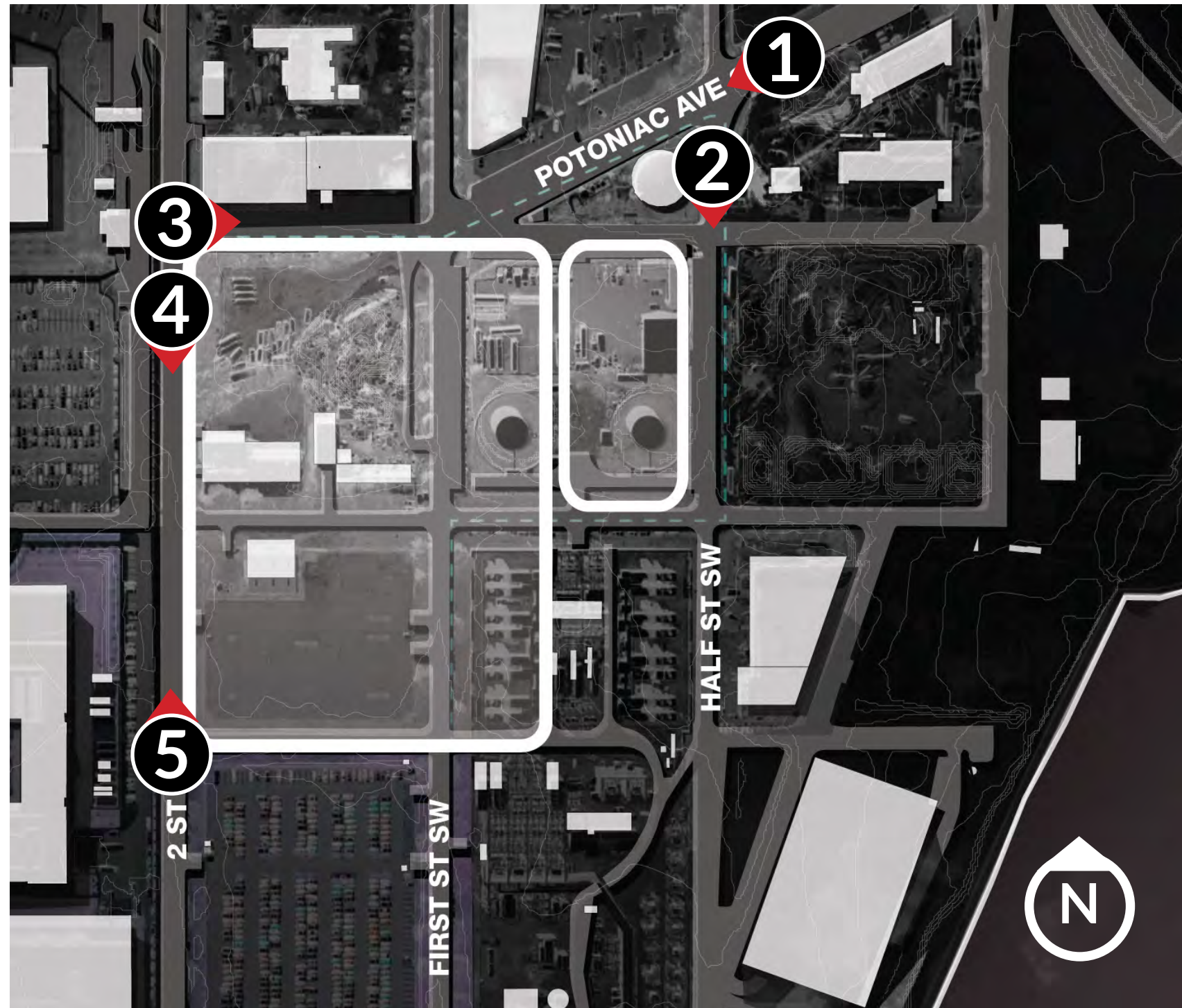
VIEW LOOKING SOUTHWEST AT THE INTERSECTION OF FIRST STREET, R STREET AND POTOMAC AVE SW



VIEW LOOKING NORTH ON HALF STREET AT S STREET SW



VIEW LOOKING SOUTH ON FIRST STREET SW



VIEW LOOKING WEST ON POTOMAC STREET SW



VIEW LOOKING SOUTH ON HALF STREET SW



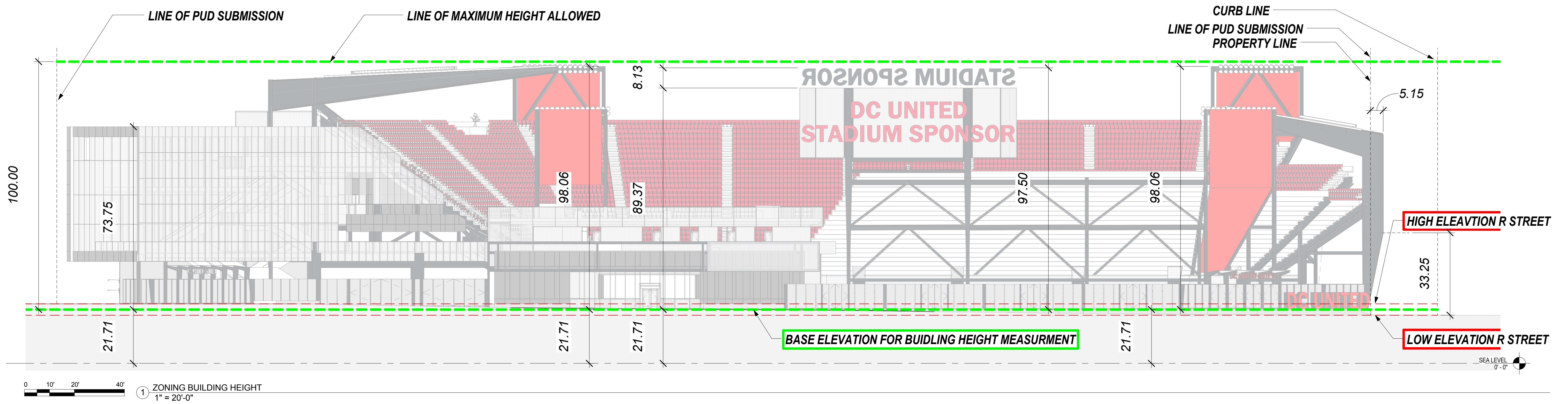
VIEW LOOKING EAST ON R STREET SW



VIEW LOOKING SOUTH ON 2ND STREET SW

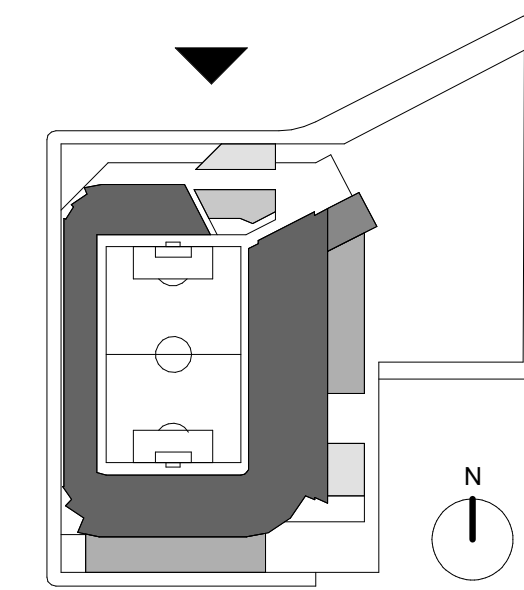


VIEW LOOKING NORTH ON 2ND AND T STREET SW



POTOMAC AND R STREET IS USED AS THE PRIMARY STREETS TO ESTABLISH THE BASE ELEVATION TO MEASURE THE OVERALL BUILDING HEIGHT

THE NORTH ELEVATION OF THE STADIUM FRONTS POTOMAC AND R STREET

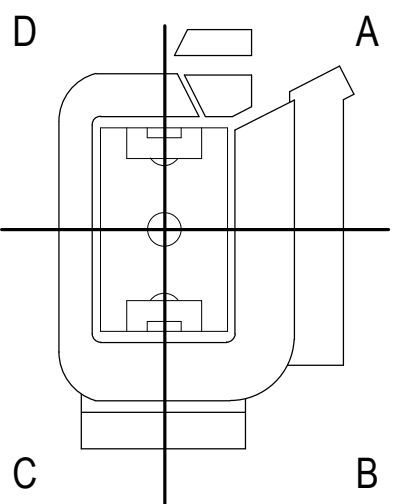


POPULOUS
Marshall | Moya Design

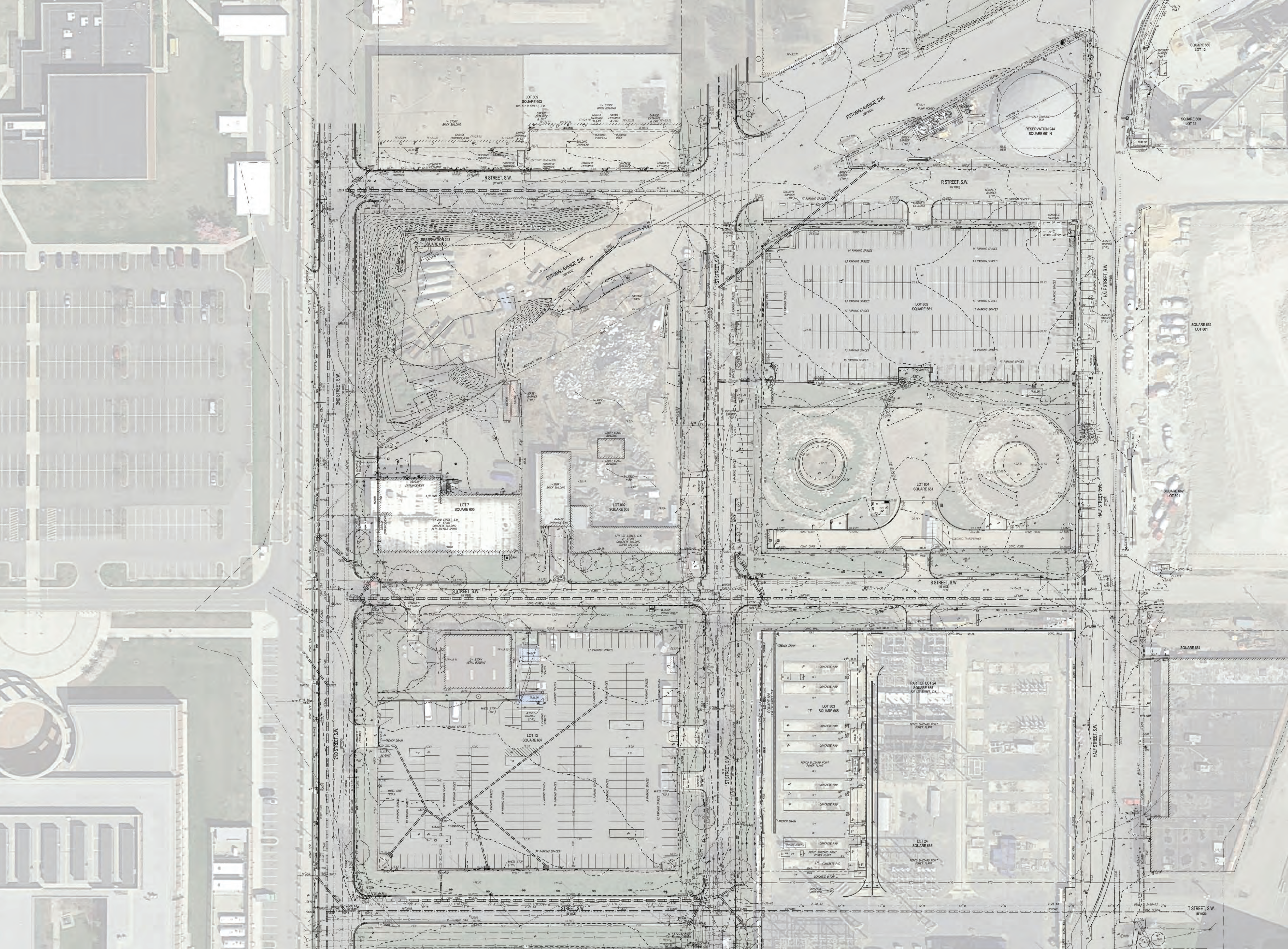


DC UNITED SOCCER STADIUM
100 Potomac Avenue, SW
Washington, DC 20024

100% PUD SUBMISSION



ZONING BUILDING HEIGHT



POPULOUS
Marshall | Moya Design

POPULOUS
Architectural Firm
100 Potomac Avenue, SW
Washington, DC 20024
PO Box 20024

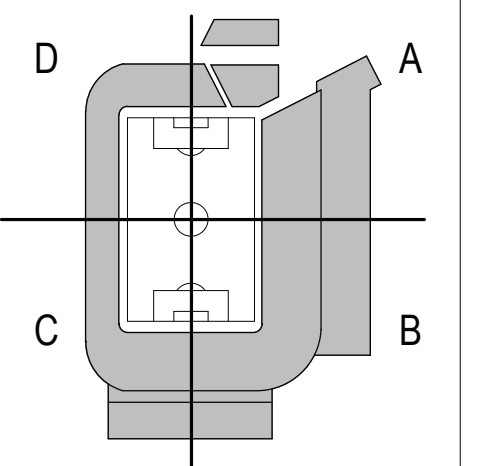
Project Number: 100
Project Name: DC United Soccer Stadium
Project Location: 100 Potomac Avenue, SW
Project Date: 10/2024

Scale: 1" = 50'-0"



DC UNITED SOCCER STADIUM
100 Potomac Avenue, SW
Washington, DC 20024

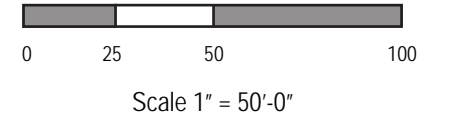
100% PUD SUBMISSION



POPULOUS
MARSHALL MOYA DESIGN

SITE PLAN - EXISTING

1:10





LEGEND

- A. PITCH
- B. FUTURE DEVELOPMENT PARCEL
- C. MAIN ENTRY PLAZA
- D. SECONDARY ENTRY PLAZA
- E. TEAM STORE
- F. MVP CLUB
- G. CONCESSION/RESTROOMS
- H. COMMISSARY/SERVICE
- I. TICKET WINDOWS
- J. TEAM OFFICES
- K. PEDESTRIAN CONNECTION TO T STREET
- L. FORT McNAIR
- M. PEPCO
- N. PUBLIC ART

NOTES

STREETSCAPE MATERIALS/DETAILS ARE SHOWN IN CONCEPT FOR ILLUSTRATIVE PURPOSES. THE FINAL MATERIALS OF THE SITE STADIUM IMPROVEMENTS WILL BE SELECTED DURING DETAILED DESIGN PHASES OF WORK AND CONFORM WITH APPLICABLE DESIGN AND PERMITTING STANDARDS.

PLANT SPECIES SELECTIONS IDENTIFIED ON THE PLANS/SCHEDULES ARE SHOWN TO ILLUSTRATE DESIGN INTENT ONLY. THE PURPOSE IS TO GENERALLY DEFINE PLANT SIZE, CHARACTER, AND LOCATIONS. REFINEMENTS TO THE PLANTING DESIGN AND FINAL SELECTION OF ALL PLANT MATERIALS CONSISTENT WITH THE SPECIES SHOWN SHALL BE DEVELOPED DURING DETAILED DESIGN PHASES OF WORK.

ALL R.O.W. IMPROVEMENTS ARE SHOWN FOR ILLUSTRATIVE PURPOSES AND ARE BY OTHERS.

BUILDING LAYOUTS ARE ILLUSTRATIVE ONLY AND SUBJECT TO CHANGE ON FINAL PLAN.

POPULOUS
Marshall Moya Design

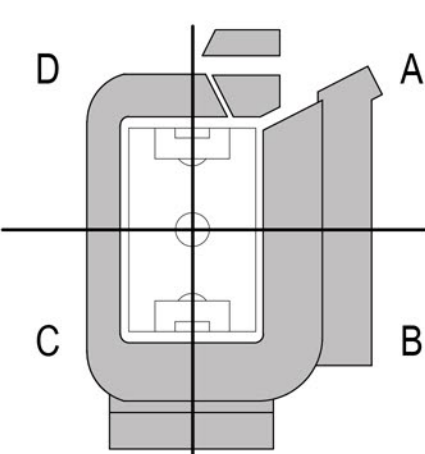
POPULOUS
Architectural
1000 17th Street NW
Washington, DC 20036
Tel: 202.391.1000
www.populous.com



DC UNITED SOCCER STADIUM

100 Potomac Avenue, SW
Washington, DC 20024

100% PUD SUBMISSION



POPULOUS
Marshall Moya Design

SITE PLAN - PROPOSED

1.11

